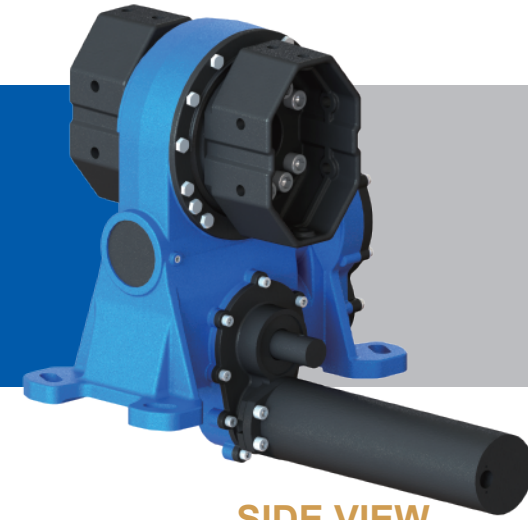


SLEWING DRIVE (Active drive) 回转式减速器 (主动)

VE7DC



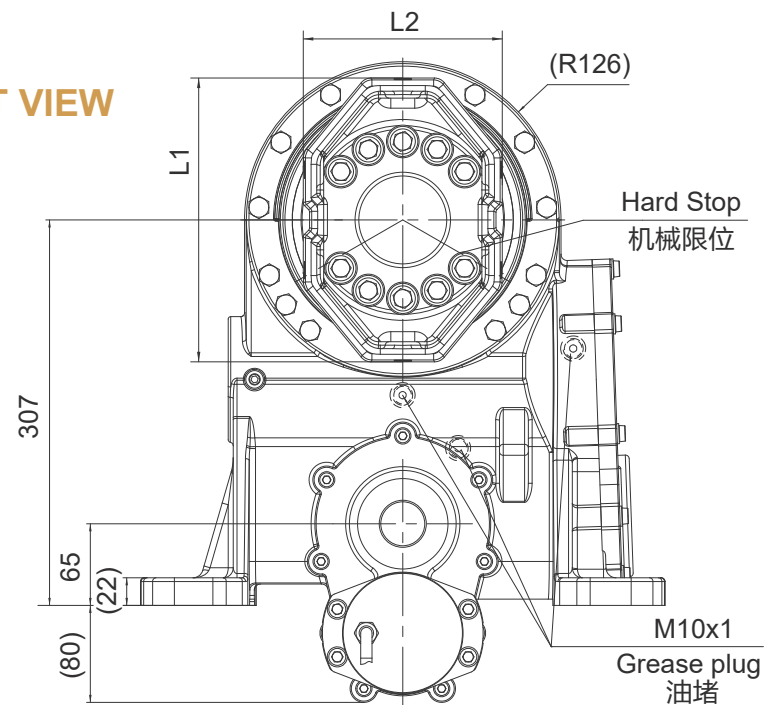
UNITS: mm
单位: mm
1inch=25.4mm

Weight: 73kg

Slewing Drive Performance Parameters
VE7DC (主动) 性能参数表

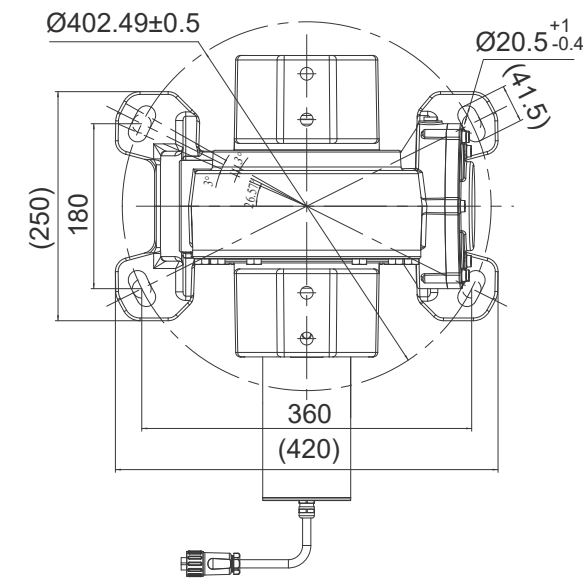
Rated Output Torque	Output Torque (Max.)	Holding Torque	Gear Ratio	Tracking Precision	Weight
额定输出转矩	最大输出转矩	保持力矩	减速比	精度等级	重量
2500 N.m	8500 N.m	41kN.m	288 : 1	≤0.3°	≈73 kg (OC226×158)
1845 lbf.ft	6273 lbf.ft	30258 lbf.ft			

FRONT VIEW
正视图

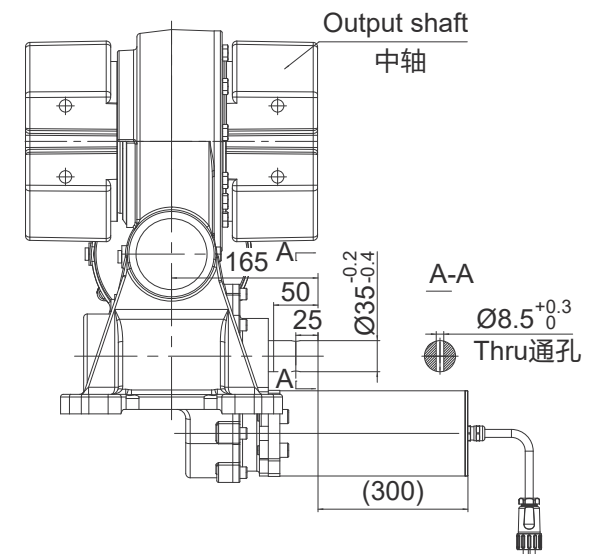


SPECIAL DESIGN BASE ON CUSTOMER'S REQUIREMENT
可根据顾客的要求进行非标设计

TOP VIEW
俯视图



SIDE VIEW
侧视图



24VDC Planetary Reducer Motor Performance Data
24.30.200 直流有刷减速电机性能参数

Rated Voltage	Rated Speed	Rated Torque	Rated Current	IP Class
额定电压	额定转速	额定转矩	额定电流	防护等级
24 VDC	3 rpm	200N.m	≤7 A	IP65

One motor can drive two slewing drives. 一台电机可以驱动两台装置

Type of output shaft Octagon 八边形(max.)

中轴类型 OC226×158

Size 尺寸(L1×L2) 226×158

中轴类型、尺寸可根据客户要求, 进行非标设计(Customized)

NOTICE 注意

- This drawing is just for your reference. 以上图纸仅供参考。
- This drawing is subject to change due to new design without prior notice. 本公司保留改进产品的权利而不再另行通知。