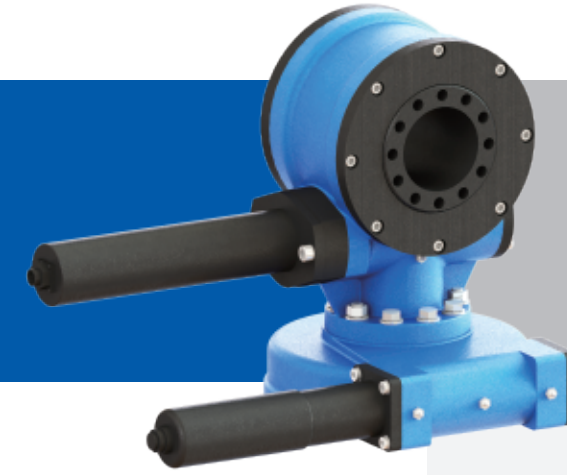


# SLEWING DRIVE 回转式减速器

# SDE7A.5 PDE7A.5



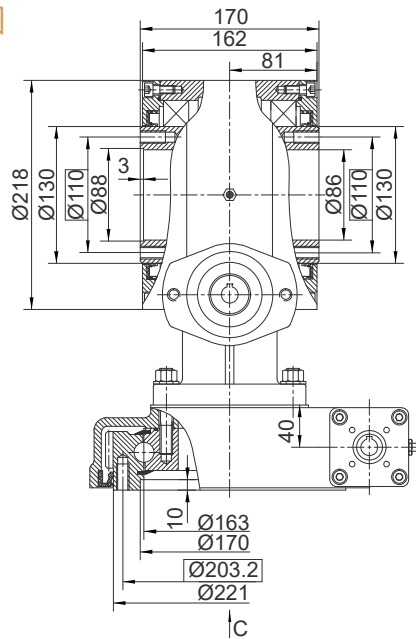
UNITS: mm  
单位: mm  
1inch=25.4mm

Weight: 23kg/33kg

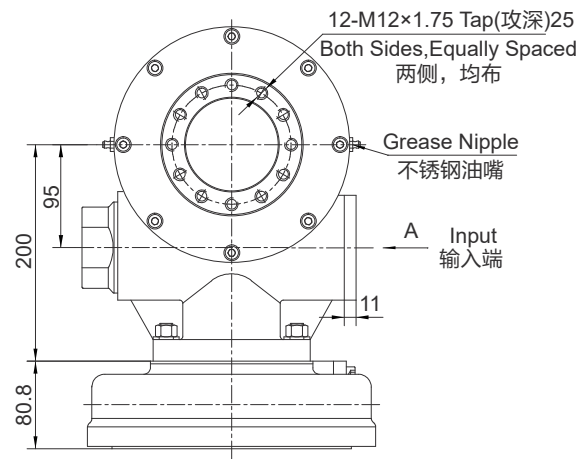
Slewing Drive Performance Parameters  
SDE7A.5/PDE7A.5 性能参数表

Model	Output Torque	Tilting Moment Torque	Holding Torque	Static Axial Rating	Static Radial Rating	Gear Ratio	Tracking Precision		Weight
							SDE7A.5	PDE7A.5	
Azimuth 方位	1500 N.m	13500 N.m	10400 N.m	133 kN	53 kN	73 : 1	≤ 0.2°	≤ 0.1°	25 kg
	1107 lbf.ft	9957 lbf.ft	7671 lbf.ft	29900 lbf	11915 lbf		≤ 0.2°	≤ 0.1°	
Elevation 俯仰	2000 N.m	10 kN.m	9000 N.m	60 kN	120 kN	28 : 1	≤ 0.2°	≤ 0.1°	33 kg
	1476 lbf.ft	7380 lbf.ft	6642 lbf.ft	13488 lbf	26976 lbf		≤ 0.2°	≤ 0.1°	

SIDE VIEW  
侧视图

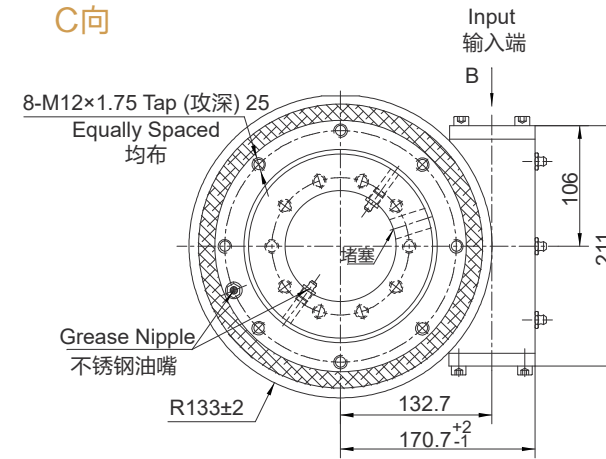


FRONT VIEW  
正视图

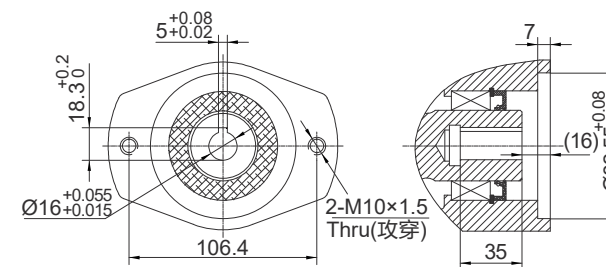


SPECIAL DESIGN BASE ON CUSTOMER'S REQUIREMENT  
可根据顾客的要求进行非标设计

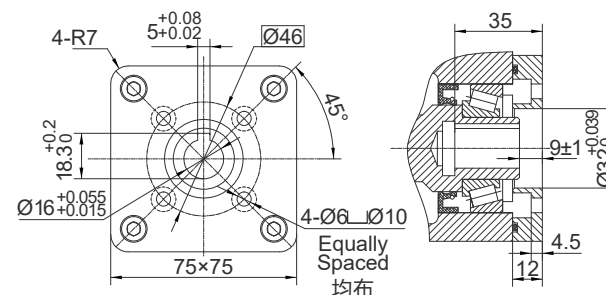
View C  
C向



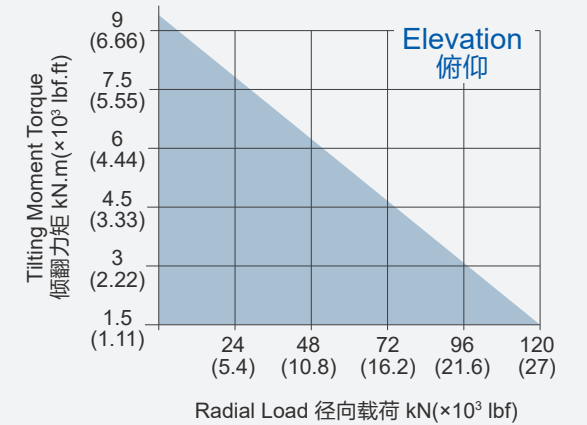
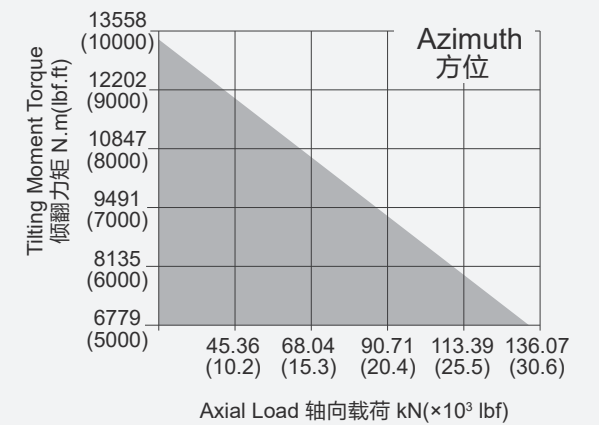
VIEW A  
A向视图



VIEW B  
B向视图



MOMENT LOAD CHART  
承载力矩图



PLEASE BE SURE TO REMAIN UNDER THIS CURVE  
选型时请确保实际载荷在曲线范围内

**NOTICE 注意**

- This drawing is just for your reference. 以上图纸仅供参考。
- This drawing is subject to change due to new design without prior notice. 本公司保留改进产品的权利而不再另行通知。